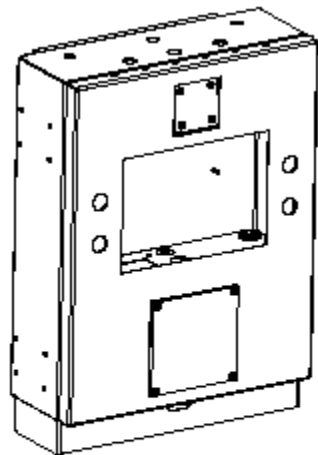


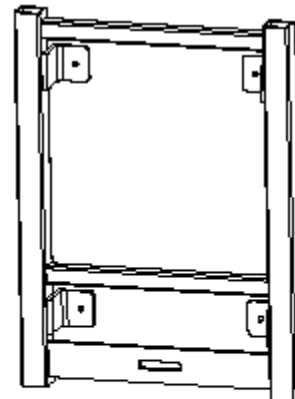
## **TERMINAL ASSEMBLY INSTRUCTIONS**

CAUTION DELICATE ELECTRONIC COMPONENTS

THE SITETRAXX TERMINAL CAN BE INSTALLED ON A VARIETY OF SURFACES, DETERMINE THE AREA AND TYPE OF WALL REQUIRED FOR INSTALLATION. GATHER THE FASTENERS REQUIRED. (TOGGLE BOLTS, LAG BOLTS, STUD ANCHORS OR EXPANDING ANCHORS WITH WASHERS FOR WOOD OR CONCRETE) CAREFULLY FOLLOW THE DIMENSIONAL REQUIREMENTS FOR ATTACHING THE TERMINAL TO THE WALL VERIFY THAT ELECTRICAL POWER NEEDED TO OPERATE THE TERMINALS HAS BEEN PLACED ACCORDING TO INSTRUCTIONS.

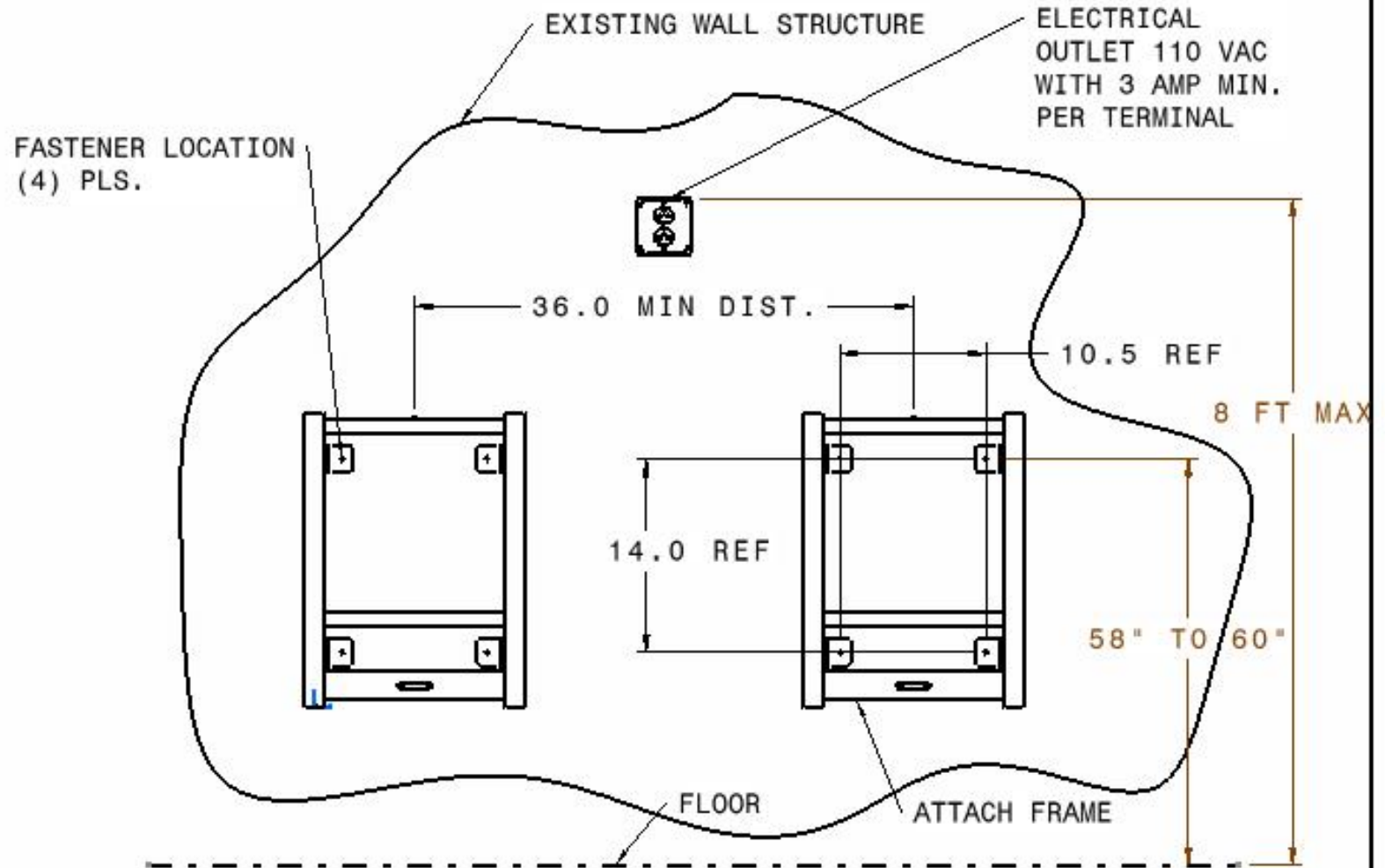


SITETRAXX TERMINAL



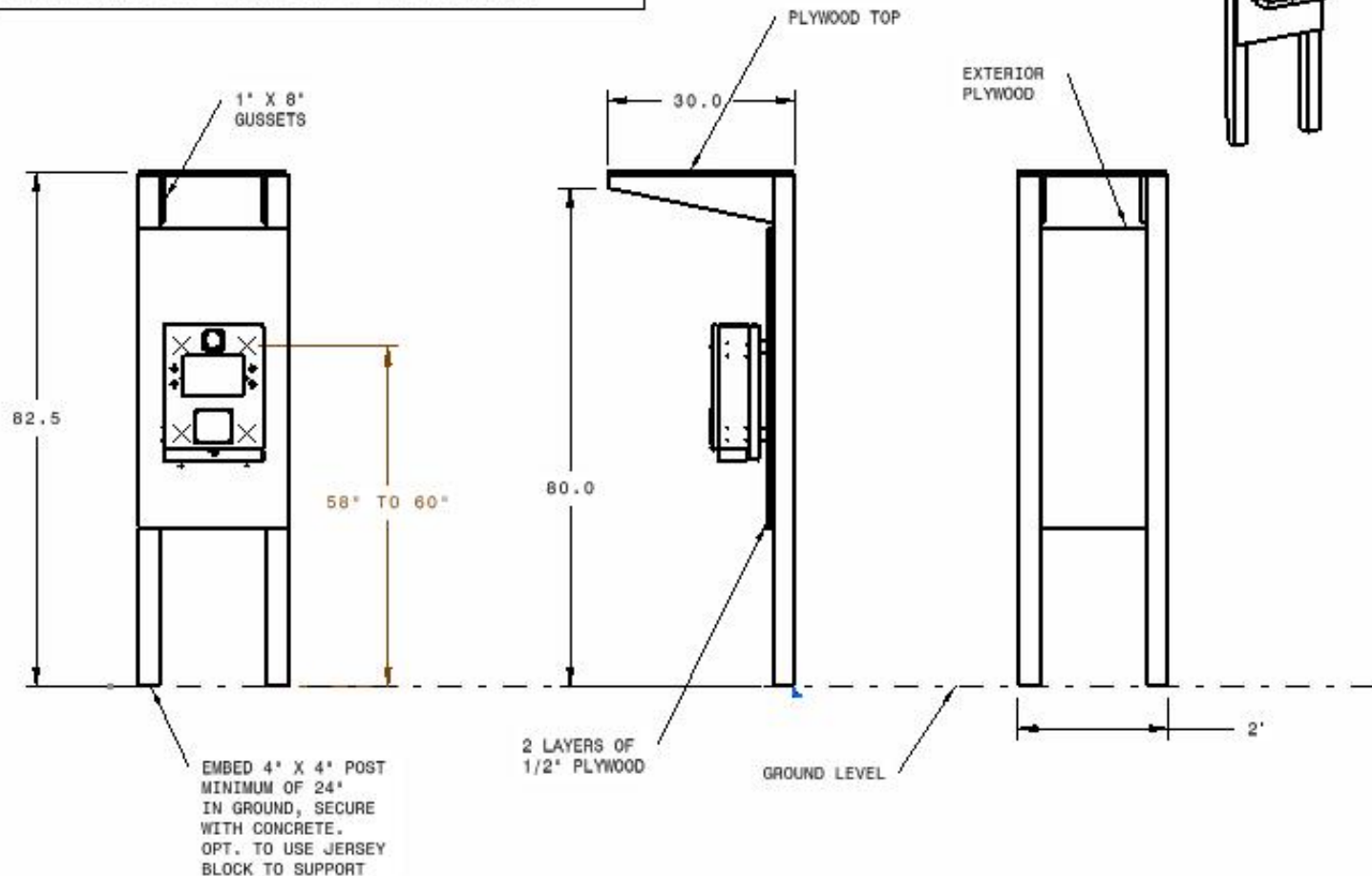
ATTACH FRAME

**ATTACH FRAME TO STRUCTURE USING CUSTOMER PROVIDED FASTENERS AND WASHERS  
NOTE: USE 1/4" MINIMUM FASTENER SIZE AND OVERSIZE WASHERS TO SECURE.**



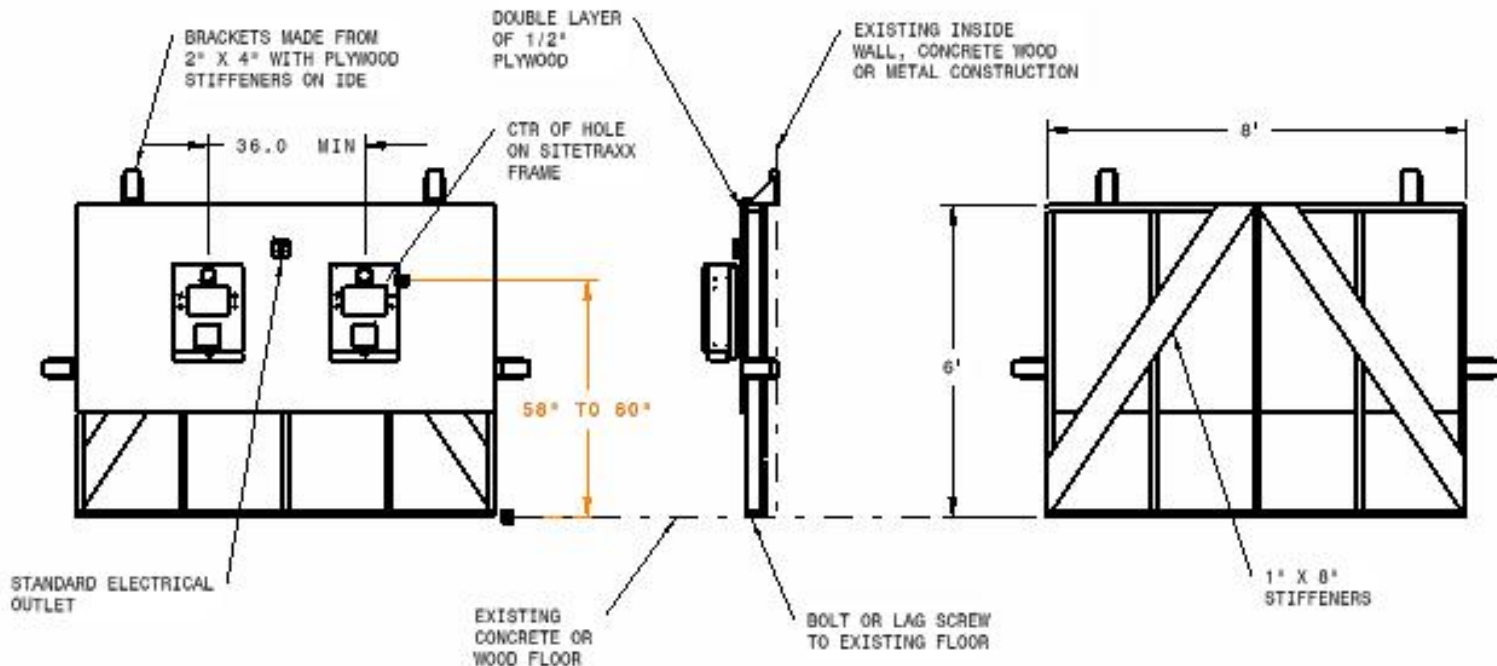
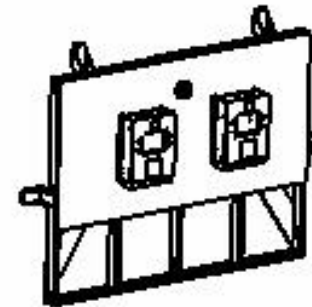
OPTION "A" USES A TEMPORARY WALL FOR ATTACHING (1) SITETRAXX TERMINAL. THE WALL IS MADE FROM 2 LAYERS OF 1/2" X 2' X 4' PLYWOOD WITH (2) 4" X 4" POSTS, ALL MATERIAL AND HARDWARE WILL BE CUSTOMER FURNISHED AND BUILT ON SITE. 110 VAC WITH 3 AMPS OF ELECTRICAL POWER WILL BE REQUIRED FOR OPERATION OF THE TERMINAL.

## OPTION A



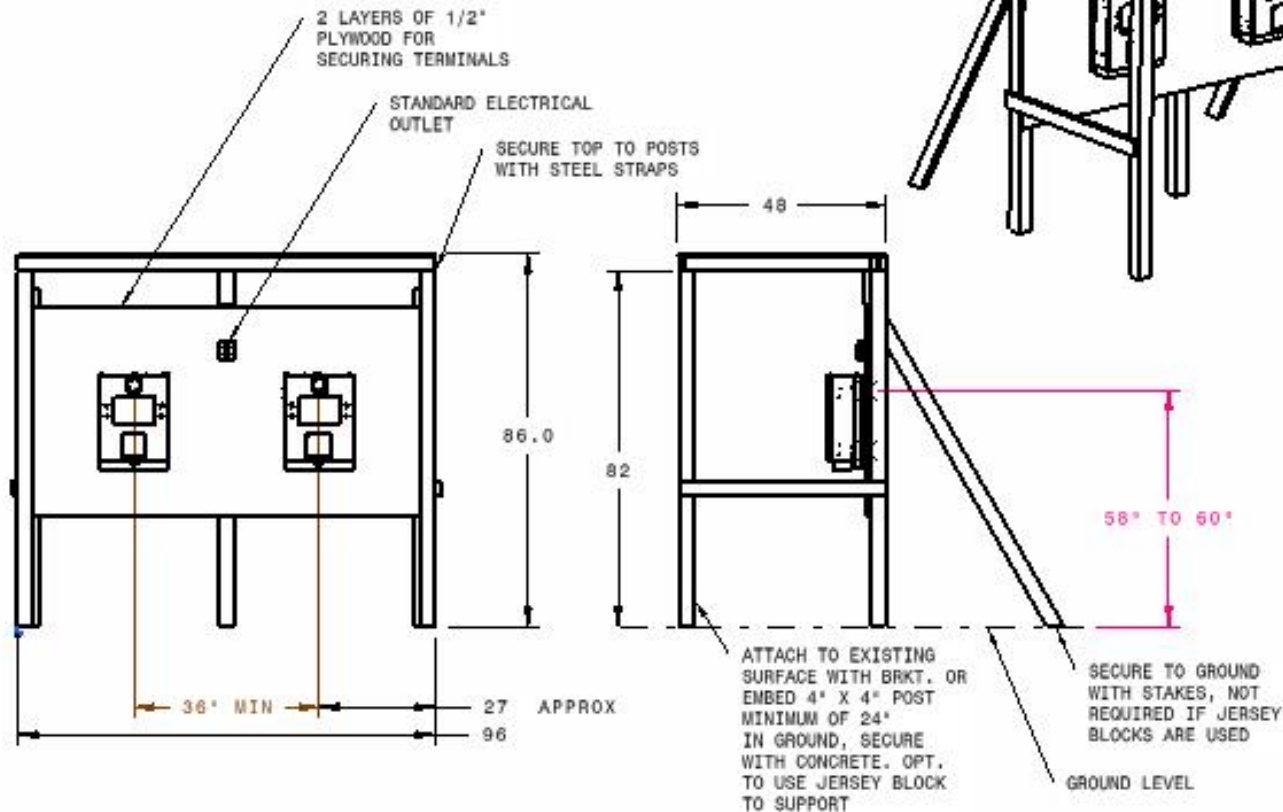
OPTION "B" USES A TEMPORARY WALL FOR ATTACHING SITETRAXX TERMINALS TO ONLIEU OF ATTACHING TO EXISTING WALL OF FACILITY. THE WALL IS MADE FROM 2 LAYERS OF 1/2" X 4' X 8' PLYWOOD WITH A 2" X 4" FRAME, ALL MATERIAL AND HARDWARE WILL BE CUSTOMER FURNISHED AND BUILT ON SITE. 110 VAC WITH 3 AMPS OF ELECTRICAL POWER WILL BE REQUIRED FOR OPERATION OF THE TERMINALS.

## OPTION B



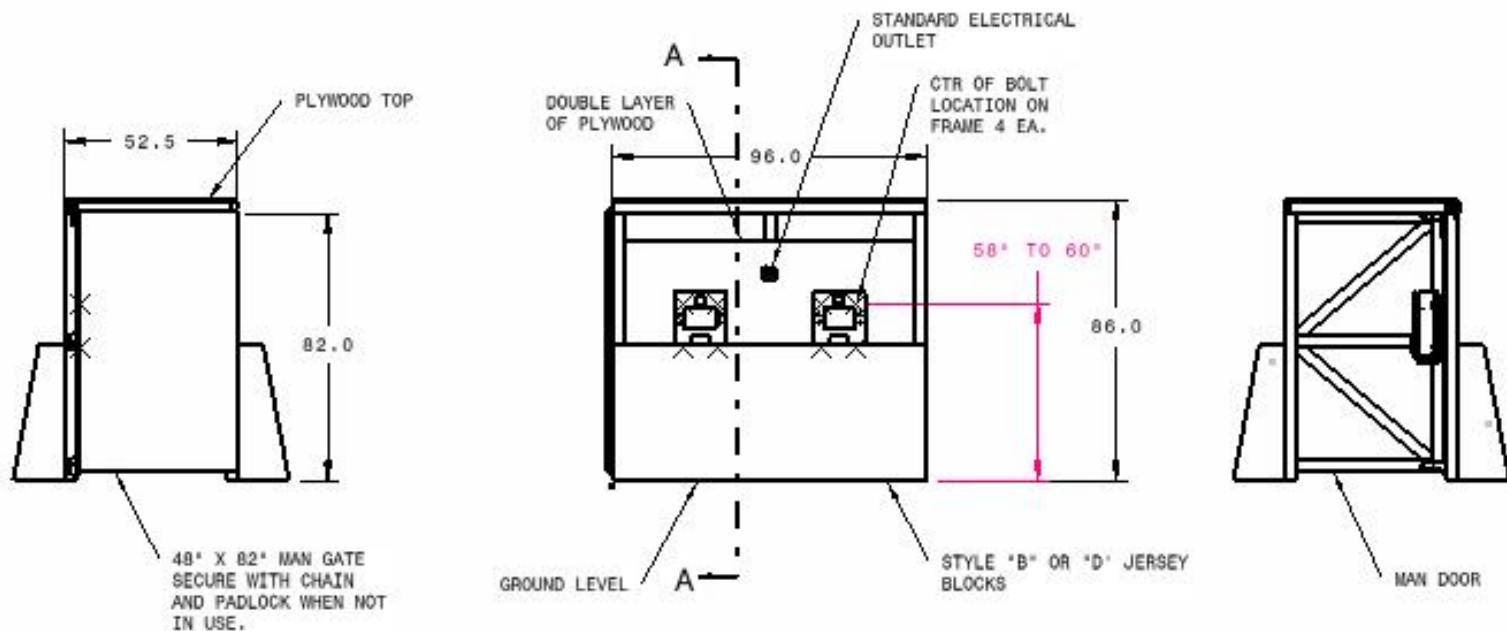
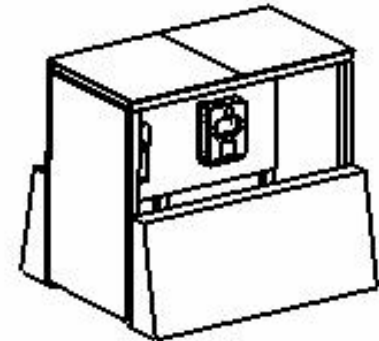
OPTION "C" IS OR A STAND ALONE WALL USED FOR ATTACHING UP TO TWO SITETRAXX TERMINALS. THE WALL IS MADE FROM PRESSURE TREATED LUMBER THE MATERIAL AND HARDWARE WILL BE CUSTOMER FURNISHED. THE ELECTRICAL WILL BE CUSTOMER FURNISHED, POWER REQUIREMENTS ARE 110VAC WITH 3AMPS PER TERMINAL. LIGHTS CAN BE ADDED FOR SECURITY AND EVENING WORK SHIFTS, AND ARE NOT CALCULATED IN TO POWER FOR THE TERMINALS.

## OPTION C



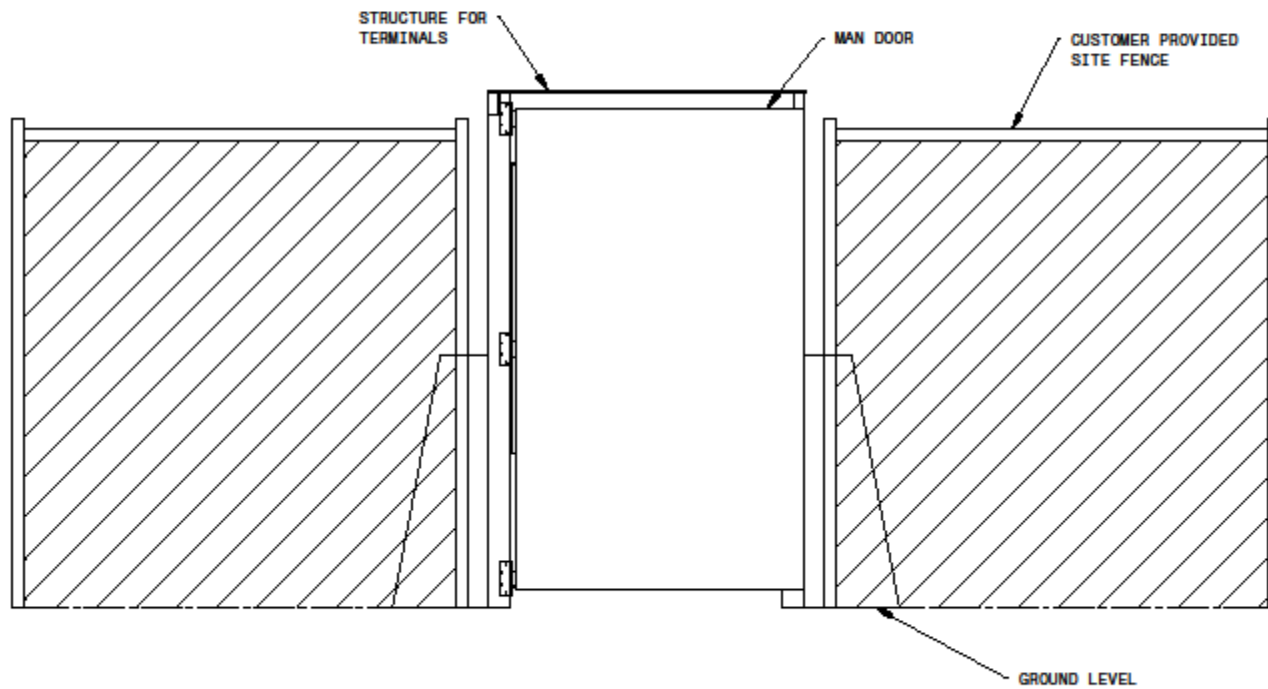
OPTION "D" IS FOR A STAND ALONE WALL USED FOR ATTACHING UP TO TWO SITETRAXX TERMINALS. THE WALL IS MADE FROM PRESSURE TREATED LUMBER AND USES 2 JERSEY BLOCKS STYLE "B" OR "D" TO SECURE THE STRUCTURE TO. ALL MATERIAL AND HARDWARE WILL BE CUSTOMER FURNISHED. THE ELECTRICAL WILL BE CUSTOMER FURNISHED, POWER REQUIREMENTS ARE 110VAC WITH 3AMPS PER UNIT. LIGHTS CAN BE ADDED FOR SECURITY AND EVENING WORK SHIFTS AND ARE NOT CALCULATED INTO POWER FOR TERMINALS.

## OPTION D



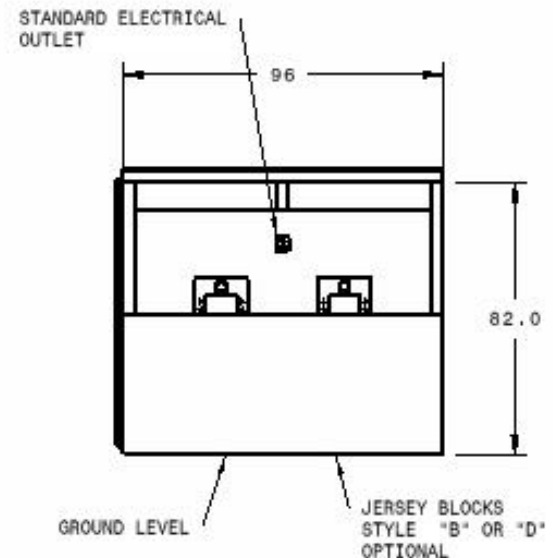
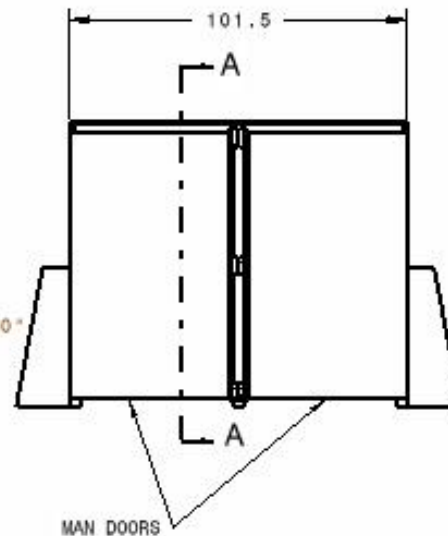
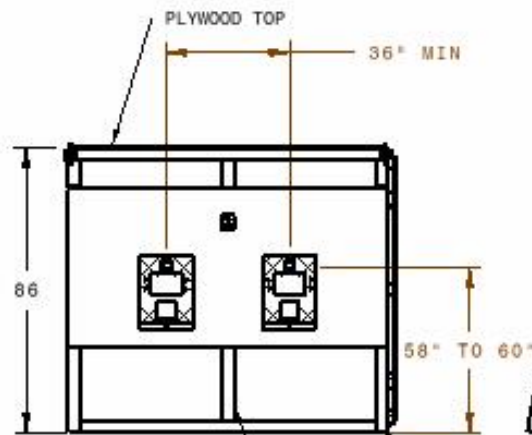
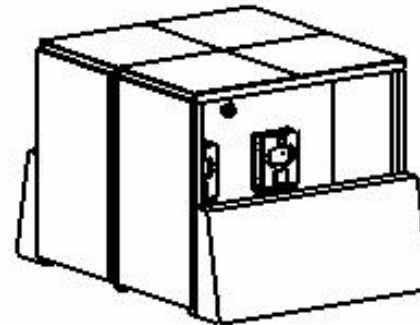
## **OPTION D**

SUGGESTED CHAIN LINK FENCE  
FOR SECURING THE CONSTRUCTION  
SITE ALLOWING USE OF THE MAN DOOR  
ON STRUCTURE FOR ACCESS



OPTION "E" IS FOR A STAND ALONE WALL USED FOR OPTION E ATTACHING UP TO FOUR SITETRAXX TERMINALS. THE WALL IS MADE FROM PRESSURE TREATED LUMBER AND USES 2 JERSEY BLOCKS STYLE "B" OR "D" TO SECURE THE STRUCTURE, OPTIONAL TO EMBED POSTS IN GROUND. ALL MATERIAL AND HARDWARE WILL BE CUSTOMER FURNISHED. 110 VAC WITH 3 AMPS OF ELECTRICAL POWER WILL BE REQUIRED FOR TERMINAL OPERATION. LIGHTS CAN BE ADDED FOR SECURITY, AND ARE NOT CALCULATED IN TO POWER FOR THE TERMINALS.  
82.0

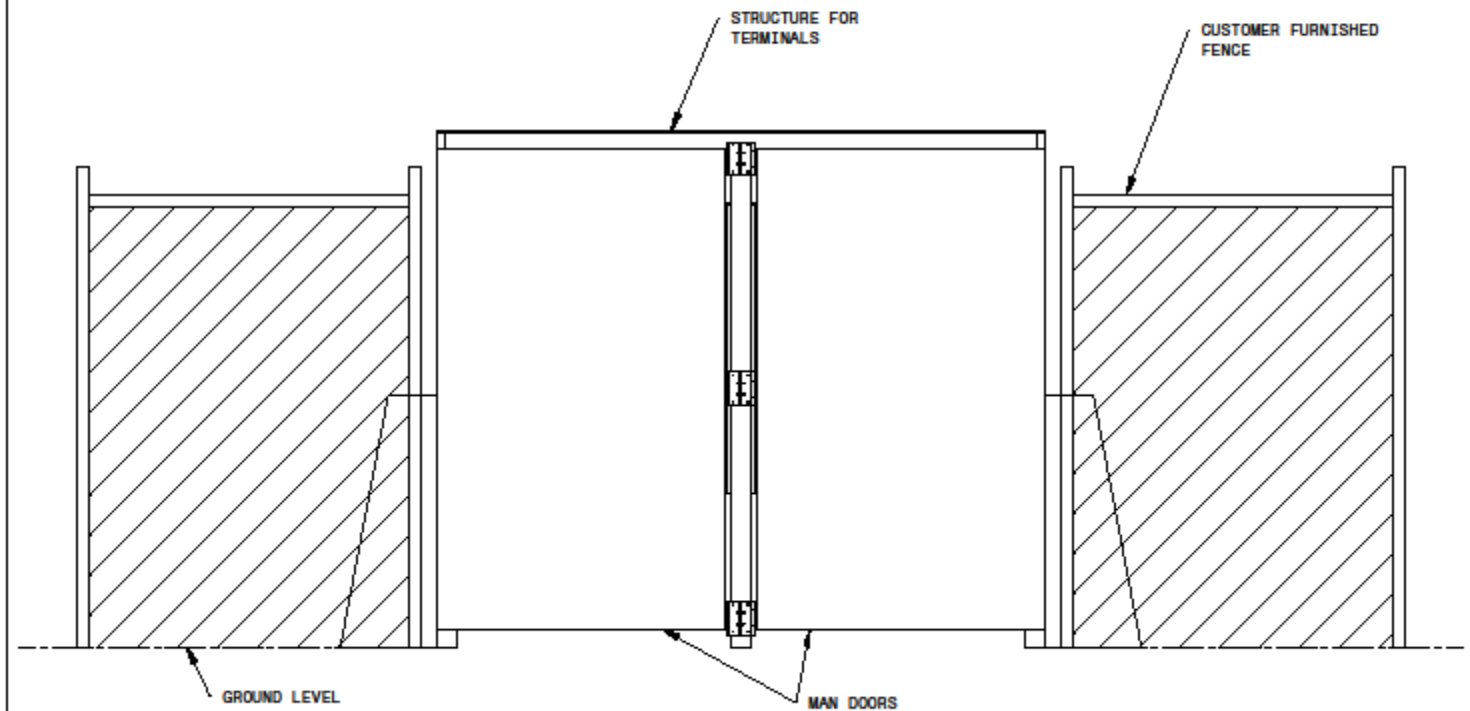
## OPTION E





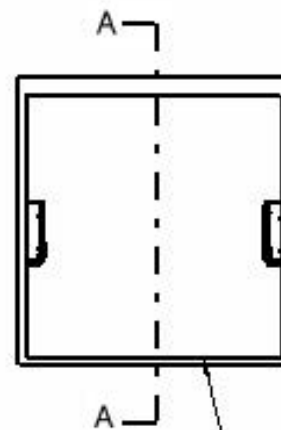
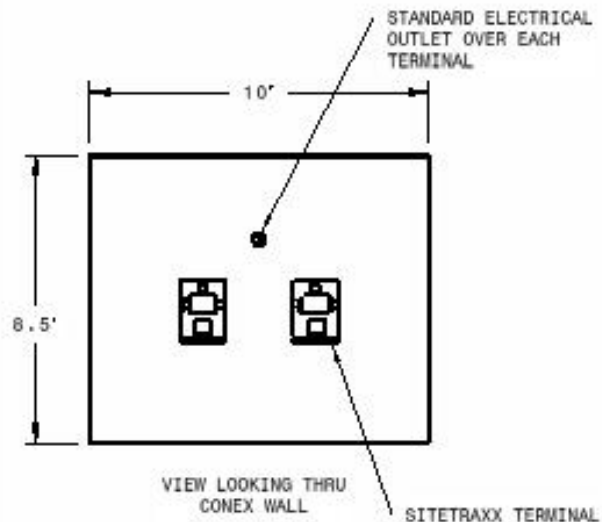
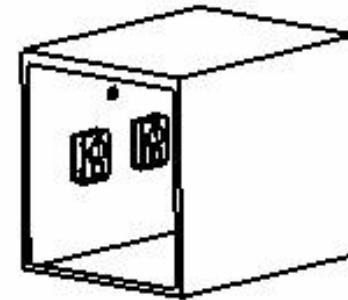
## OPTION E

SUGGESTED CHAIN LINK FENCE  
FOR SECURING THE CONSTRUCTION  
SITE ALLOWING USE OF THE MAN DOOR  
ON STRUCTURE FOR ACCESS

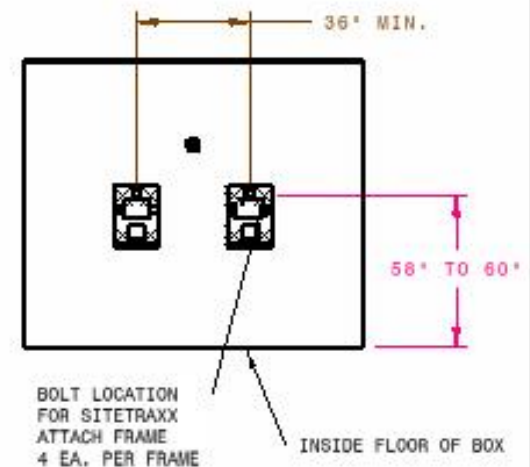


OPTION F USES A 10' CONEX BOX WITH STANDARD DOOR ON ONE END AND A ROLLUP DOOR ON THE OPPOSITE END. 4 SITETRAXX TERMINALS CAN BE LOCATED IN THIS CONFIGURATION, WITH SPACING BETWEEN TERMINALS AS NOTED. ELECTRICAL POWER AND OVERHEAD LIGHTS WILL BE THE CUSTOMERS RESPONSIBILITY.

## OPTION F



TYP. DOOR OPENING



## OPTION F

SUGGESTED CHAIN LINK FENCE  
FOR SECURING THE CONSTRUCTION  
SITE ALLOWING USE OF THE MAN DOOR  
ON STRUCTURE FOR ACCESS

