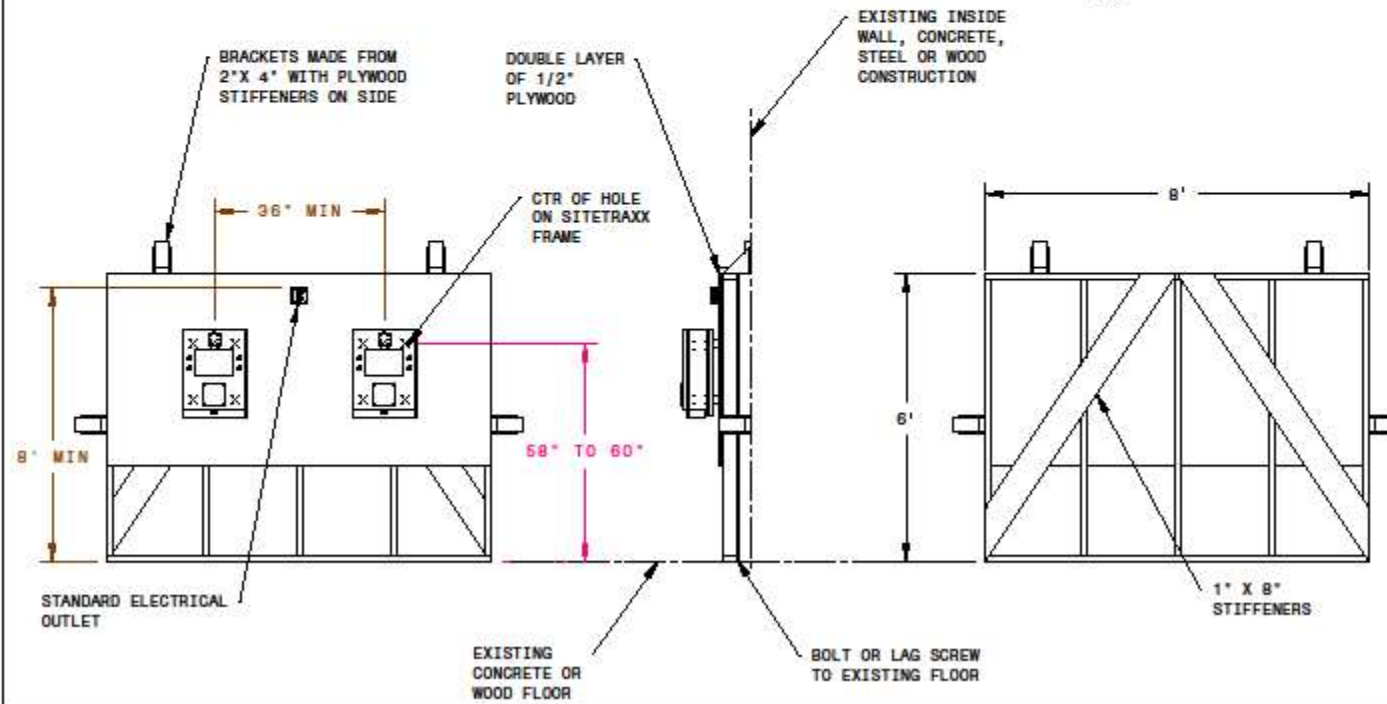
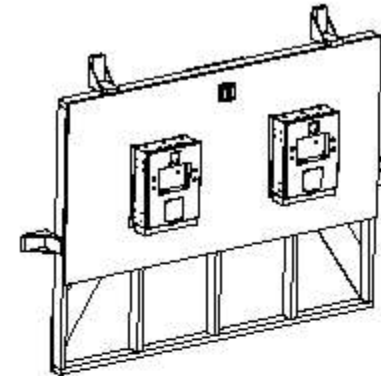


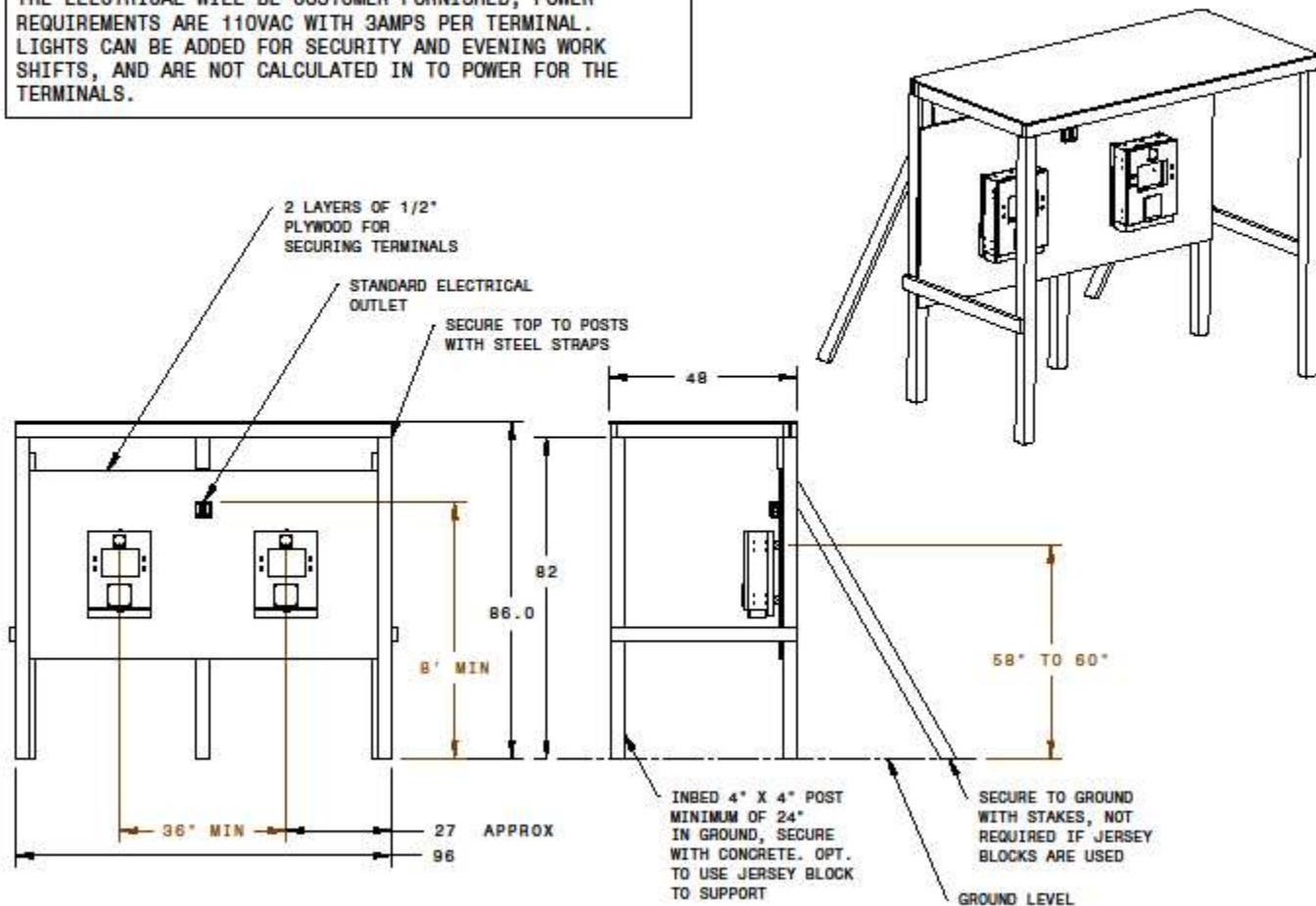
OPTION "A" USES A TEMPORARY WALL FOR ATTACHING SITETRAXX TERMINALS TO INLIEU OF ATTACHING TO EXISTING WALL OF FACILITY. THE WALL IS MADE FROM 2 LAYERS OF 1/2" X 4' X 8' PLYWOOD WITH A 2" X 4" FRAME, ALL MATERIAL AND HARDWARE WILL BE CUSTOMER FURNISHED AND BUILT ON SITE. 110 VAC WITH 3 AMPS OF ELECTRICAL POWER WILL BE REQUIRED FOR OPERATION OF THE TERMINALS.

OPTION A



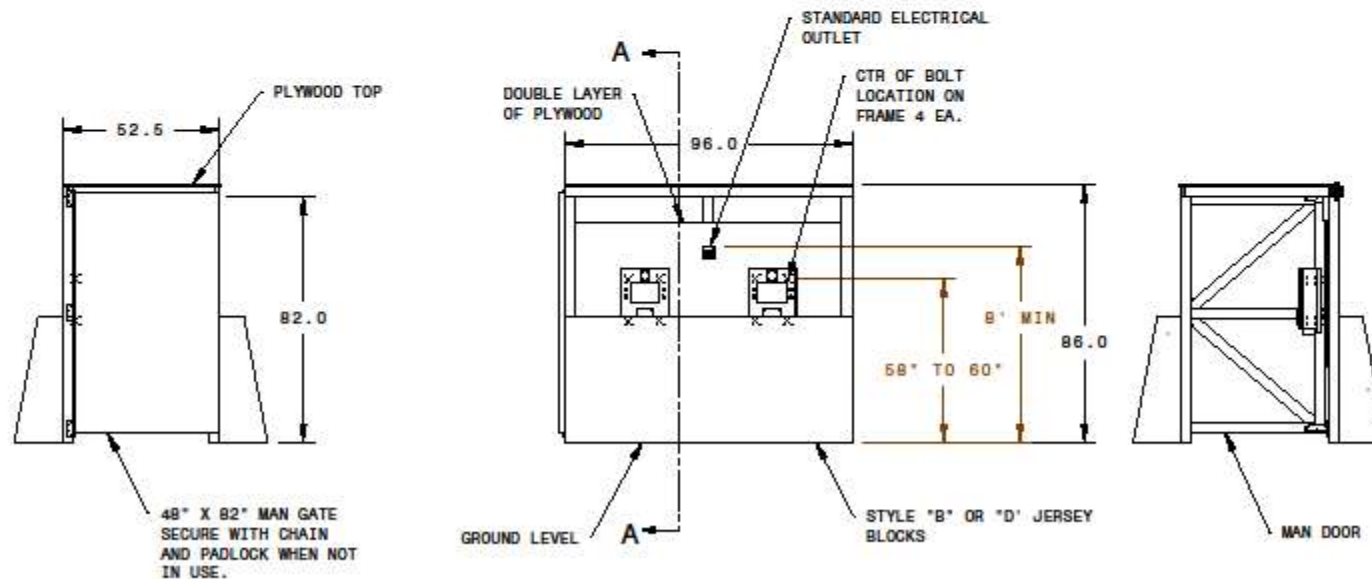
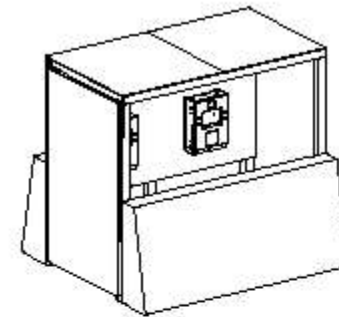
OPTION "B" IS OR A STAND ALONE WALL USED FOR ATTACHING UP TO TWO SITETRAXX TERMINALS. THE WALL IS MADE FROM PRESSURE TREATED LUMBER THE MATERIAL AND HARDWARE WILL BE CUSTOMER FURNISHED. THE ELECTRICAL WILL BE CUSTOMER FURNISHED, POWER REQUIREMENTS ARE 110VAC WITH 3AMPS PER TERMINAL. LIGHTS CAN BE ADDED FOR SECURITY AND EVENING WORK SHIFTS, AND ARE NOT CALCULATED IN TO POWER FOR THE TERMINALS.

OPTION B



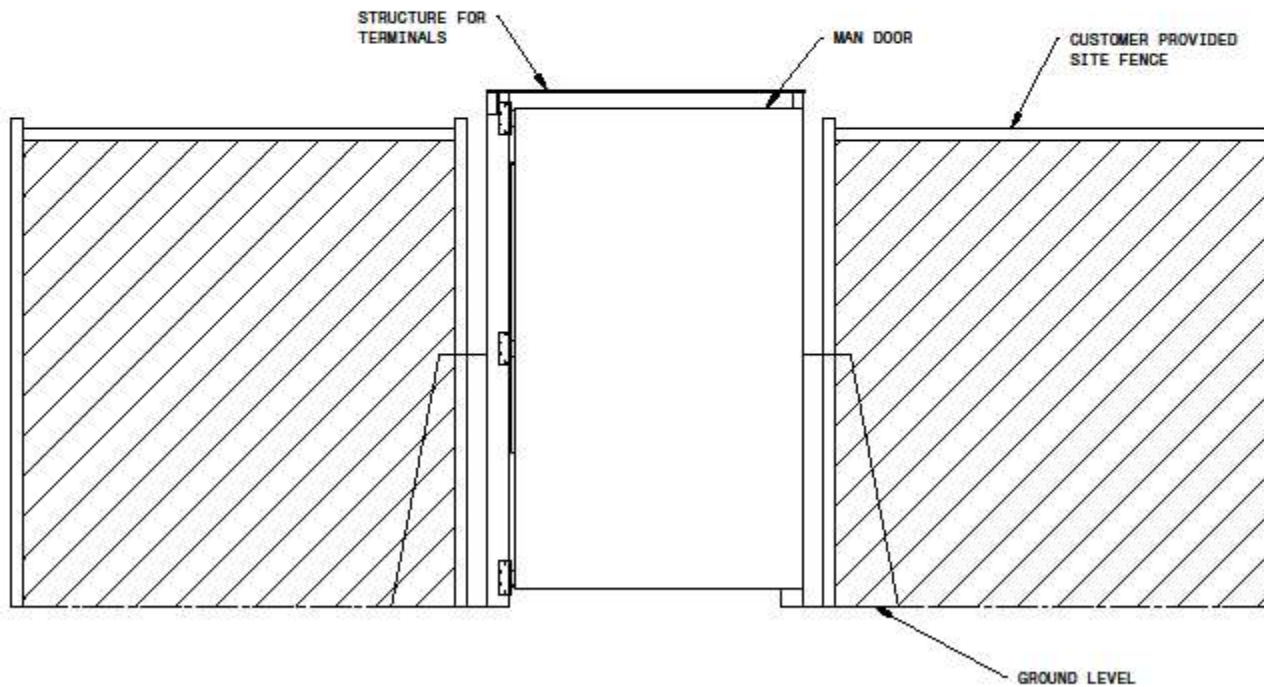
OPTION "C" IS FOR A STAND ALONE WALL USED FOR ATTACHING UP TO TWO SITETRAXX TERMINALS. THE WALL IS MADE FROM PRESSURE TREATED LUMBER AND USES 2 JERSEY BLOCKS STYLE "B" OR "D" TO SECURE THE STRUCTURE TO. ALL MATERIAL AND HARDWARE WILL BE CUSTOMER FURNISHED. THE ELECTRICAL WILL BE CUSTOMER FURNISHED, POWER REQUIREMENTS ARE 110VAC WITH 3AMPS PER UNIT. LIGHTS CAN BE ADDED FOR SECURITY AND EVENING WORK SHIFTS AND ARE NOT CALCULATED INTO POWER FOR TERMINALS.

OPTION C



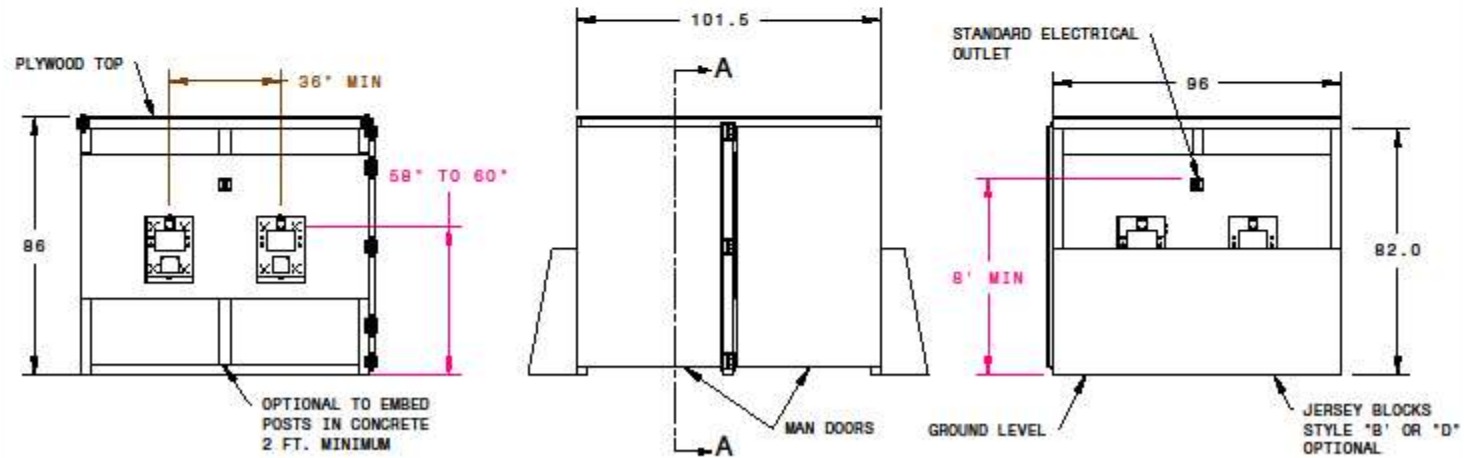
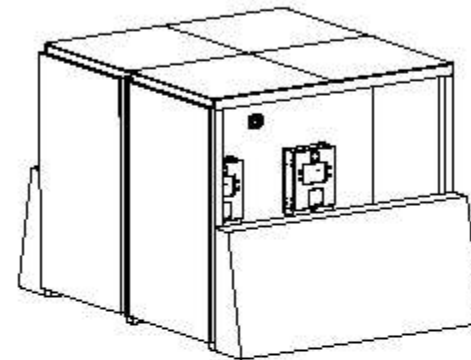
OPTION C

SUGGESTED CHAIN LINK FENCE
FOR SECURING THE CONSTRUCTION
SITE ALLOWING USE OF THE MAN DOOR
ON STRUCTURE FOR ACCESS



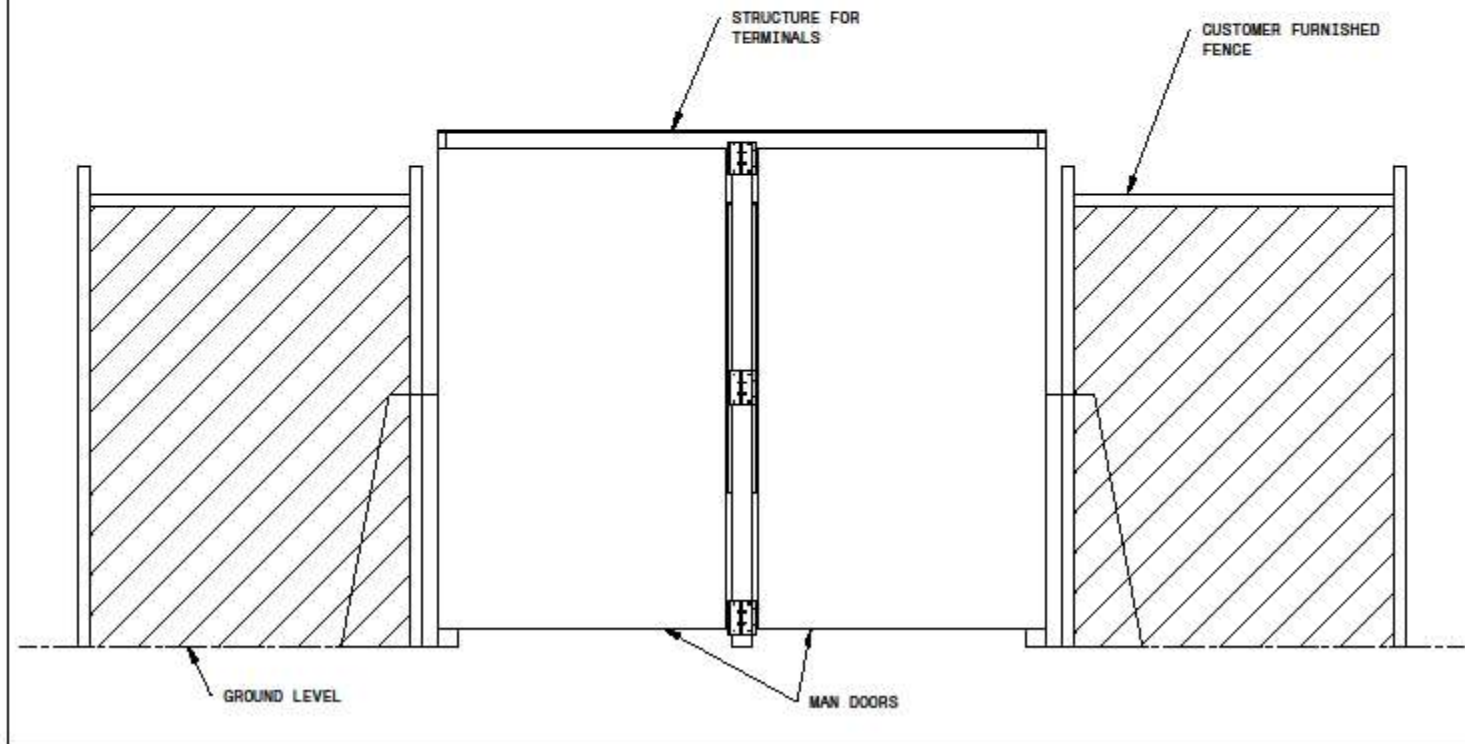
OPTION "D" IS FOR A STAND ALONE WALL USED FOR ATTACHING UP TO FOUR SITETRAXX TERMINALS. THE WALL IS MADE FROM PRESSURE TREATED LUMBER AND USES 2 JERSEY BLOCKS STYLE "B" OR "D" TO SECURE THE STRUCTURE, OPTIONAL TO EMBED POSTS IN GROUND. ALL MATERIAL AND HARDWARE WILL BE CUSTOMER FURNISHED. 110 VAC WITH 3 AMPS OF ELECTRICAL POWER WILL BE REQUIRED FOR TERMINAL OPERATION. LIGHTS CAN BE ADDED FOR SECURITY, AND ARE NOT CALCULATED IN TO POWER FOR THE TERMINALS.

OPTION D



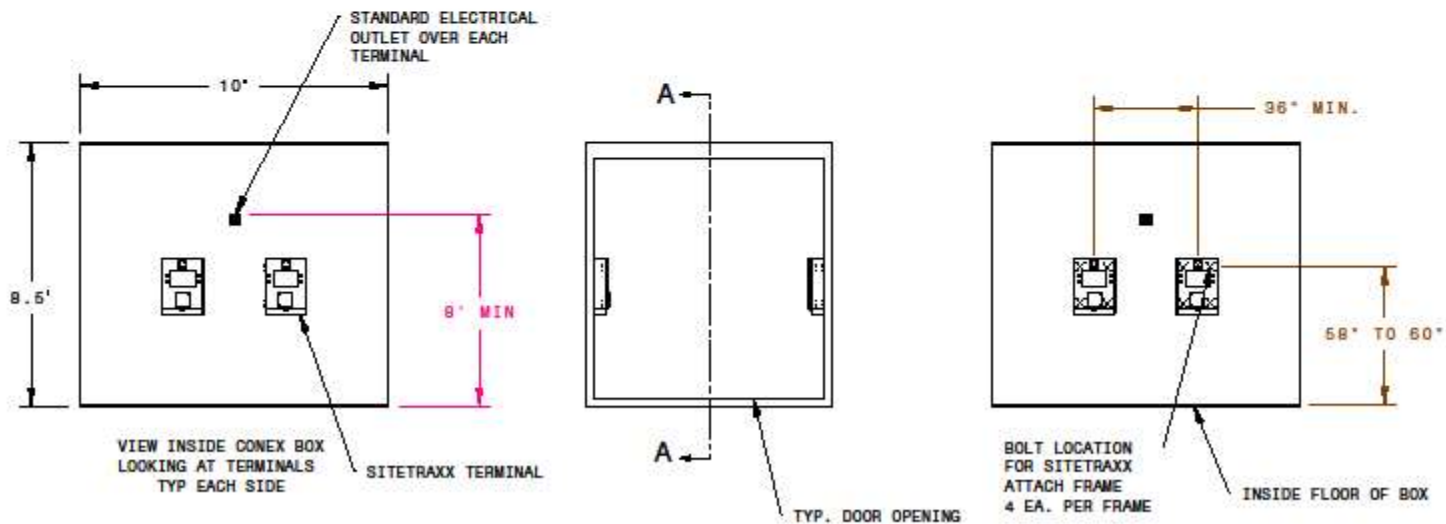
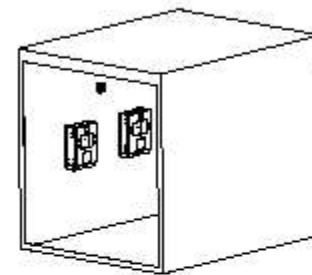
OPTION D

SUGGESTED CHAIN LINK FENCE
FOR SECURING THE CONSTRUCTION
SITE ALLOWING USE OF THE MAN DOOR
ON STRUCTURE FOR ACCESS



OPTION D USES A 10' CONEX BOX WITH STANDARD DOOR ON ONE END AND A ROLLUP DOOR ON THE OPPOSITE END. 4 SITETRAXX TERMINALS CAN BE LOCATED IN THIS CONFIGURATION, WITH SPACING BETWEEN TERMINALS AS NOTED. ELECTRICAL POWER AND OVERHEAD LIGHTS WILL BE THE CUSTOMERS RESPONSIBILITY.

OPTION E



OPTION E

SUGGESTED CHAIN LINK FENCE
FOR SECURING THE CONSTRUCTION
SITE ALLOWING USE OF THE MAN DOOR
ON STRUCTURE FOR ACCESS

